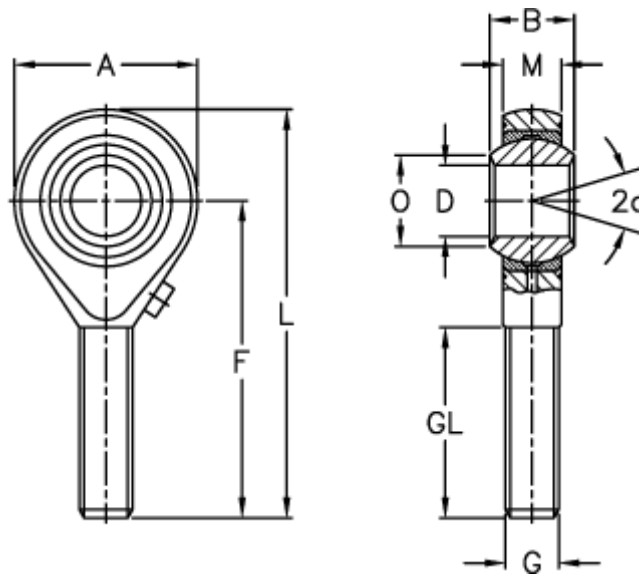


Article number: 03006014

Description: Fluro Rod End GAXS 14
Zinc Plated

Measures



A	= 36	L	= 78
a (degrees)	= 16	M	= 13.5
B	= 19	O	= 16.8
D	= 14	Permissible rpm	= 750
Dynamic load C (kN)	= 17	Static load C0 (kN)	= 57
F	= 60	Weight (g)	= 129
g	= M14		
GL	= 38		